

# ShallowSwayless® Damping Device Installation Kit

## WFDD-27L (FOR WHISPER-FLEX® CABLES) AND WFDD-50L (FOR STEADI-FLEX® CABLES)



The ShallowSwayless is a sway reduction device for shallow pit applications ONLY where there is insufficient pit depth for Swayless or SuperSwayless devices. It reduces compensating cable sway and oscillation in installations up to 700 ft/min • 3.56 m/sec.

Two sizes are available; the 27L version is for Whisper-Flex and the 50L version is for Steadi-Flex.

### BEFORE ASSEMBLY

Have work gloves, one  $\frac{3}{4}$  inch socket wrench, one 13 mm socket wrench, a hammer and a rotary hammer drill with a  $\frac{1}{2}$  inch bit capable of drilling a  $2\frac{3}{4}$  inch deep hole. The compensation cable should already be installed.

### INSTRUCTIONS

**Step 1:** Assemble the two legs by placing four channel nuts into each  $32\frac{1}{4}$  inch strut. Place the struts into the base plates and secure them each with two  $\frac{1}{2}$  x 1 inch bolts.

**Step 2:** Place a channel nut into the center of the two long struts (32 inch with the WFSS-27L, 54 inch with the WFDD-50L) and two short struts.

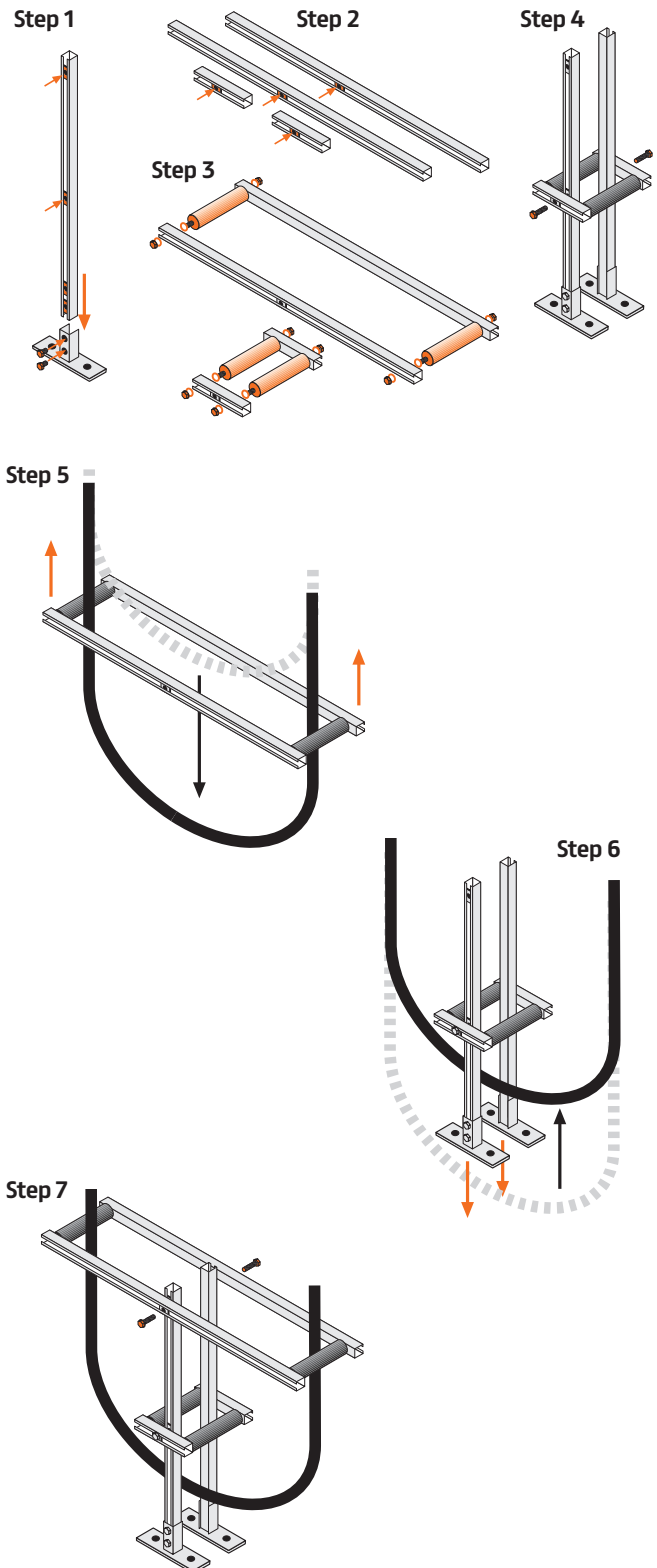
**Step 3:** Fasten the long struts together using two rollers. Use washers on both sides of the strut and a nut on the outside to create the long crossarm. Repeat this procedure with the short struts to make the short crossarm.

**Step 4:** Attach the short crossarm to the legs as shown using two no-twist square washers and two  $\frac{1}{2}$  x  $2\frac{1}{2}$  inch bolts attached to the channel nuts in the legs.

**Step 5:** Place the cable inside the long crossarm.

**Step 6:** Place the leg assembly over the cable and rest it on the floor.

**Step 7:** Attach the long crossarm to the top of the leg assembly with no-twist square washers and  $\frac{1}{2}$  x  $2\frac{1}{2}$  bolts attached to the channel nuts.



# Draka EHC

A Brand of Prysmian Group

Draka EHC  
2151 N. Church Street | Rocky Mount, NC 27804  
+1-877-DRAKA EP (877-372-5237)  
[www.DrakaEHC.com](http://www.DrakaEHC.com) | [www.prysmiangroup.com](http://www.prysmiangroup.com)

# ShallowSwayless® Damping Device Installation Kit (cont'd)

## WFDD-27L (FOR WHISPER-FLEX® CABLES) AND WFDD-50L (FOR STEADI-FLEX® CABLES)



**Step 8:** Center the cable with respect to both the side and end of the assembled Shallow Swayless.

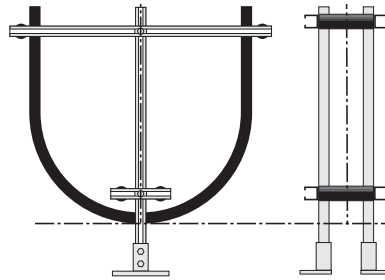
**Step 9:** Once the Shallow Swayless is centered, mark the drilling points for the anchors using the base of the legs as references.

**Step 10:** Drill four 1/2 x 2 3/4 inch holes. Clear the dust from the holes and hammer the anchors into the holes.

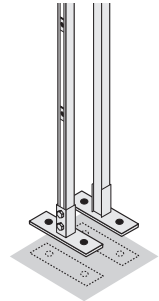
**Step 11:** Place the rubber pads over the anchors. Attach the Shallow Swayless to the floor with four washers and hex nuts.

**Assembled view:** The completed Shallow Swayless should look like this with the long crossarm almost at the top of the legs and the short crossarm just above (not touching) the bottom of the cable loop.

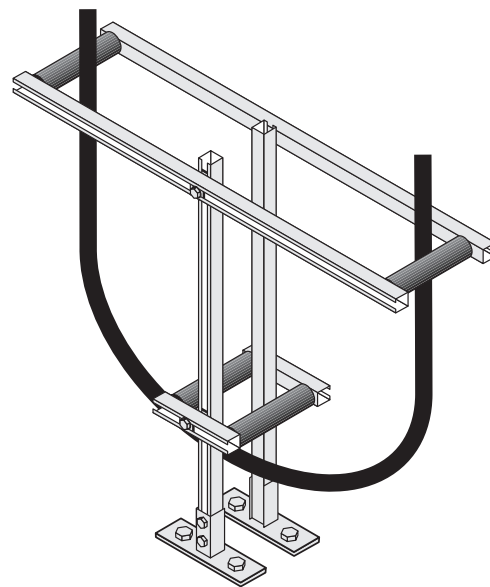
Step 8



Step 9



Assembled view



### ADJUSTING THE SHALLOW SWAYLESS

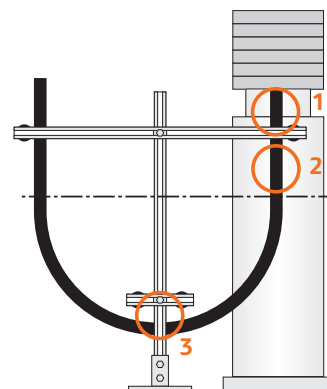
Make sure the long crossarm is as high as possible on the legs. At minimum, the rollers must be one inch above where the loop begins. The crossarm height can be adjusted by loosening the attachment bolts and tightening them when done.

THERE MUST BE AT LEAST 1 INCH CLEARANCE BETWEEN THE SHALLOW SWAYLESS AND ANY PART OF THE COUNTERWEIGHT AND/OR CAR WHEN THEY ARE RESTING ON FULLY COMPRESSED BUFFERS. Use a hacksaw to shorten the legs if this tolerance is not met.

Adjust the short crossarm so that there is a one inch gap between the rollers and the cable. Because of rope stretch, this gap should be monitored as part of a regular inspection program and adjusted if necessary.

### IMPORTANT TESTING NOTE

During buffer and/or safeties testing, it is likely that the cable loop will jump up. Prior to testing, raise the short crossarm to its maximum height to prevent damage to the Shallow Swayless.



Allow at least 1 inch of gap at these points:

- 1) Bottom of counterweight/car and ShallowSwayless
- 2) Bottom of the long crossarm and the beginning of the loop
- 3) Bottom of the short crossarm and the cable

# Draka EHC

A Brand of Prysmian Group

Draka EHC  
2151 N. Church Street | Rocky Mount, NC 27804  
+1-877-DRAKA EP (877-372-5237)  
www.DrakaEHC.com | www.prysmiangroup.com