

Swayless® Damping Device Floor Mounted Installation

FOR WF-SRD DAMPING DEVICES AND SL-FMB-48 AND SL-FMB-2 MOUNTING BRACKETS



BEFORE ASSEMBLY

Have work gloves, one $\frac{3}{4}$ inch socket wrench, a hammer and a rotary hammer drill with a $\frac{1}{2}$ inch bit capable of drilling a $2\frac{3}{4}$ inch deep hole. The compensation cable should already be installed.

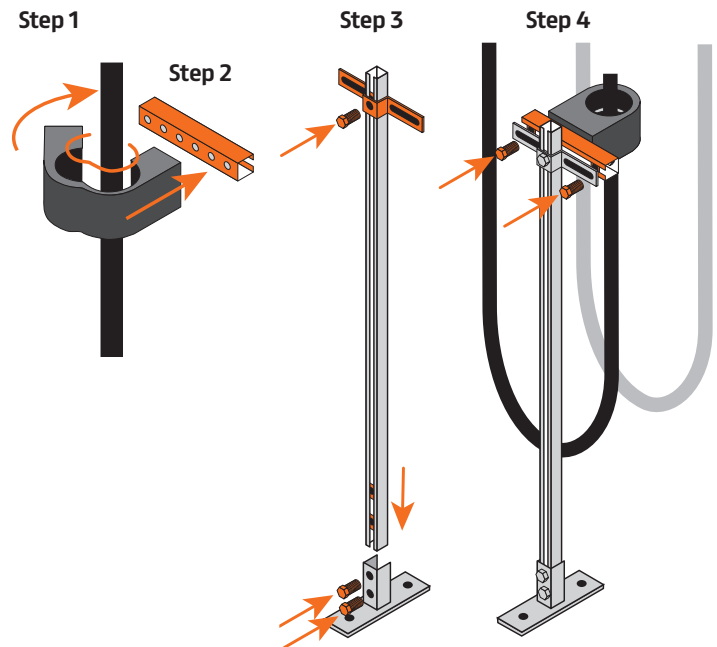
INSTRUCTIONS

Step 1: Secure the Swayless device around the cable. Remove the $\frac{3}{8}$ "x $3\frac{1}{2}$ " bolt in the side of the Swayless body to open it. Remove and open its brass ring insert, place the cable in the center of the ring, replace it in the body, close it and tighten the bolt.

Step 2: With the Swayless secured around the cable, fasten it to the 8" channel using the embedded end bolts on the device.

Step 3: Assemble each vertical stand as shown. Each stand uses one 3-hole bracket, one 48" strut, three $\frac{1}{2}$ " bolts, three channel nuts and one base plate.

Step 4: Attach the channel/Swayless assembly to the stand using two $\frac{1}{2}$ " bolts and two channel nuts.



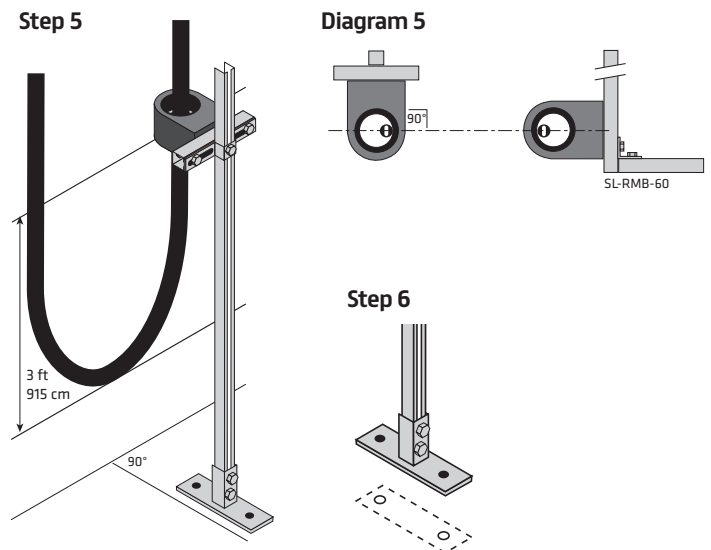
Step 5: Place the Swayless/stand assembly so that it is perpendicular to the cable loop. The inside of the cable loop should just touch the brass ring (see Diagram 5). The stand's vertical strut must not impede cable loop movement within its plane.

As the car travels, the loop will become slightly wider and the outside of the cable loop will periodically contact the devices, limiting cable sway and damping oscillation.

Step 6: Once the stands are in the correct position, mark the attachment holes on the pit floor using the base plate holes as a guide. Drill two $\frac{1}{2}$ " holes, $2\frac{3}{4}$ " deep. Clear dust from hole. Hammer the wedge anchors into the holes.

Place the rubber pad over the anchors, then fasten the Swayless stand to the floor using $\frac{1}{2}$ " flat washers and hex nuts. Repeat the assembly and installation steps for the second stand.

Step 7: Adjust the height of the Swayless device so that it is three feet above the bottom of the loop (as shown in Step 5).



Draka EHC

A Brand of Prysmian Group

Draka EHC
2151 N. Church Street | Rocky Mount, NC 27804
+1-877-DRAKA EP (877-372-5237)
www.DrakaEHC.com | www.prysmiangroup.com