

Swayless® Damping Device Installation

FOR WF-SRD DAMPING DEVICES AND SL-RMB-48 AND SL-RMB-2 KITS



IMPORTANT! Swayless Damping Devices are to be used as recommended by Draka Elevator. The Swayless device's only application is as a damping device for round compensating cable with an O.D. no greater than 1.8 inches on elevator cars with speeds up to 500 ft/min · 2.54 m/sec. The Swayless device is not designed for bare chain.

BEFORE ASSEMBLY

Have work gloves and a 9/16" • 14 mm socket wrench. The compensation cable should already be installed.

INSTRUCTIONS

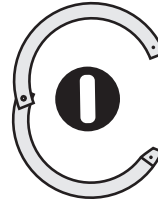
Step 1: Open the hinged brass ring insert (be careful of sharp edges on the brass ring insert when opening and closing the ring). Place the brass ring insert around compensating cable and close it.

Step 2: Open the Swayless body. It may be necessary to loosen the 3 inch bolt to do so. Place the brass ring insert and cable within the body and close it so that the insert is seated in the grooves in the center of the body. The compensating cable must not be in constant contact with the body as this will result in excessive cable wear.

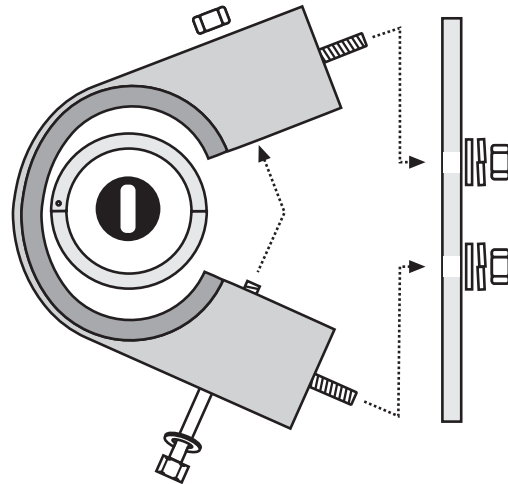
To assure maximum performance, install the brass ring insert so the its hinge and opening avoid cable contact.

Step 3: Push the 3 inch bolt through Swayless base and tighten it firmly. The Swayless is now ready to be attached to an SL-FMB or SL-RMB mounting bracket.

Step 1



Step 2



MAINTAINING SWAYLESS PERFORMANCE

The brass ring insert is a barrier between the compensating cable and the Swayless device to prevent cable wear. The brass ring will wear during use and may need to be replaced.

To extend ring life, turn the ring 30° every six months or when excessive wear is visibly noticed on the brass ring.

To turn the ring:

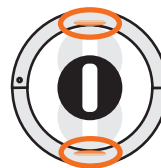
Step 1: Remove the Swayless from its mounting bracket.

Step 2: Loosen the 3 inch bolt in the Swayless device so that the ring can rotate.

Step 3: Rotate the ring 30°. This will allow the cable to contact a new, unworn area of the ring and increase the life of the brass ring insert.

Step 4: Tighten the 3 inch bolt and re-attach the Swayless to the mounting bracket.

Obvious wear



30°



Draka EHC

A Brand of Prysmian Group

Draka EHC
2151 N. Church Street | Rocky Mount, NC 27804
+1-877-DRAKA EP (877-372-5237)
www.DrakaEHC.com | www.prysmiangroup.com