

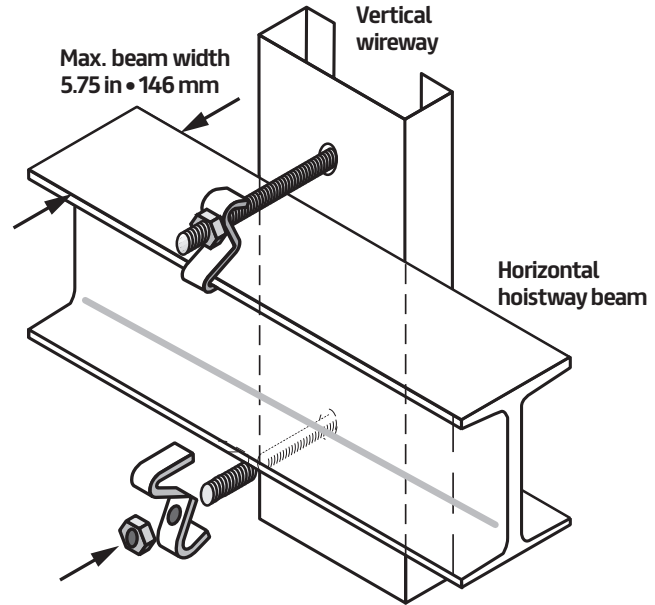
Wireway Mounting Bracket Installation

TWO BRACKETS (#TR-MTG-KIT) ARE REQUIRED FOR INSTALLATION

Wireway Mounting Bracket kits are designed to mount electrical wireway vertically to horizontal beams in the hoistway.

The width of the beam can be a maximum of 5.75 in • 146 mm.

Two Wireway Mounting kits are required per beam to secure the wireway to the beam.



Draka EHC

A Brand of Prysmian Group

Draka EHC
2151 N. Church Street | Rocky Mount, NC 27804
+1-877-DRAKA EP (877-372-5237)
www.DrakaEHC.com | www.prysmiangroup.com